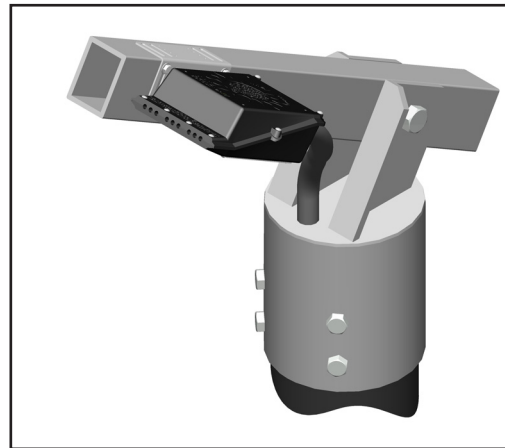
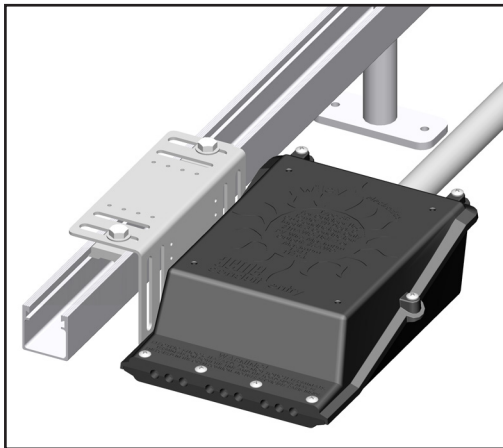
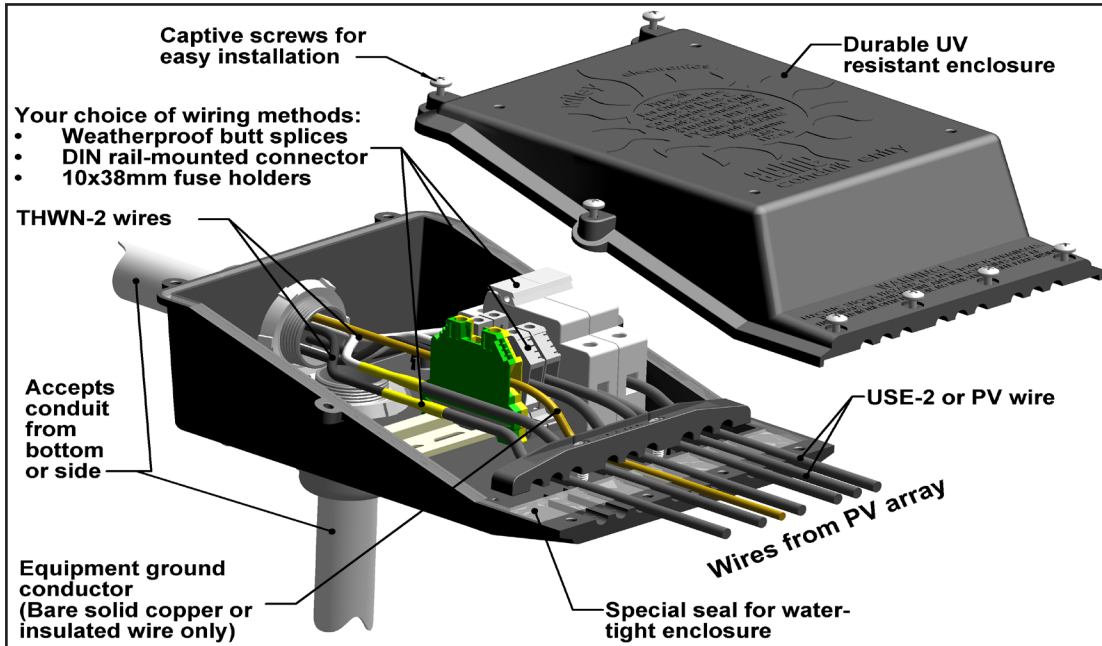


ACE Acme Conduit Entry Box

The ACE makes quick and simple transitions from USE-2 or PV array wire to conduit protected THWN-2 wire. The box features a compact two-piece UV resistant, NEMA3R rated, enclosure that allows ample wiring space and is compatible with any conduit type. The unique wire entry seals the enclosure even if entry slots are unused. Convenient side and bottom conduit drill out allow for easy conduit routing. The cover comes with captive screws for hassle-free assembly. ETL Listed to UL 1741. Rated for 1000V.



Customer Service Department
 7 Aviation Park Drive
 Londonderry NH 03053
 1-800-346-4175
 1-603-647-5299 (International)
www.burndy.com



Intertek
 4004188

Input Wire Diameter Range	5.0 - 6.8 [0.20 -0.27in] 10-12 AWG USE-2/PV V
Maximum number of Input Conductor Slots	9
Maximum number of PV strings	4
Maximum number of Combined Strings	4
Equipment Ground Conductor Type	Bare solid or jacketed only
Equipment Ground Conductor Diameter Range	4.0-6.8mm [0.16-0.27 in]
Acceptable Conduit Sizes	19.05mm, 25.4mm [0.75in, 1.0in]
Internal Volume	1840cm [112 in]
Internal Height	72.0mm[2.83 in]
Drill Out	Side, Bottom

Configurations

ACE Part Number	ACE Configuration	Terminal Block	Terminal Block Internal Bus	Fuse Holder	Fuse Combiner Bus	Grounding Terminal	DIN Rail
ACE-PT	Pass-Through using Butt Splices/Wire Nuts	N/A	N/A	N/A	N/A	N/A	N/A
ACE-1P	1-String Pass-through	2	N/A	N/A	N/A	1	1
ACE-2P	2-String Pass-through	4	N/A	N/A	N/A	1	1
ACE-3P	3-String Pass-through	6	N/A	N/A	N/A	2	1
ACE-4P	4-String Pass-through	8	N/A	N/A	N/A	2	1
ACE-2C	2-Strings Combiner	2	N/A	Not required for 2-string combiner	N/A	1	1
ACE-3C	3-Strings Combiner	2	1X 2-Pole	3	1X 3-Pole	2	1
ACE-4C	4-Strings Combiner	2	1X 2-Pole	4	1X 4-Pole	2	1

Mounting Bracket is included with the purchase of the ACE. It is made of lightweight, corrosion resistant, anodized aluminum. The mounting bracket assembly includes:

- 1X ACE Mounting Bracket
- 4X Mounting Screws
- 2x Bonding Washers

